

# Data Recording Requirements & Options

✍ Selection of recording devices should be based on current and expected requirements. Typical requirements include:

- ? Performance
- ? Capacity
- ? Data Availability
- ? Environmental
- ? Scalability
- ? Flexibility
- ? Cost

**Two Options**

✍ Modular Data Recorder

**Option 1**

- ? Support for multiple input streams
- ? Ability to playback data over one or more interfaces
- ? Support for disk grouping & virtualization
- ? Ability to directly interface with A/D devices
- ? High Performance

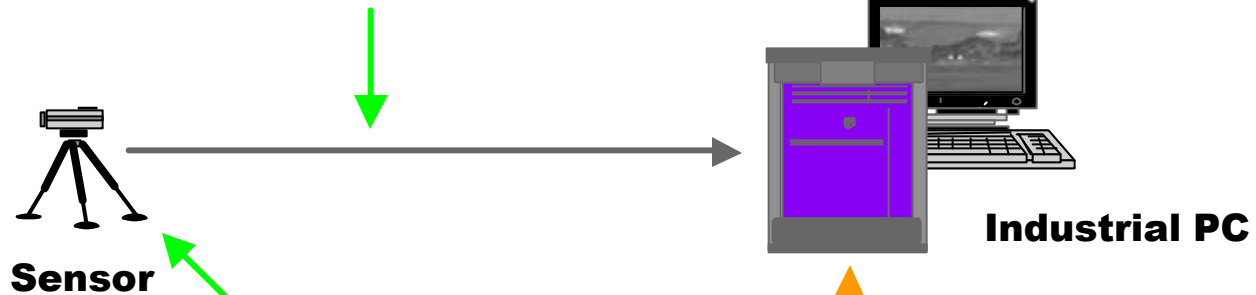
✍ General Purpose Computer

**Option 2**

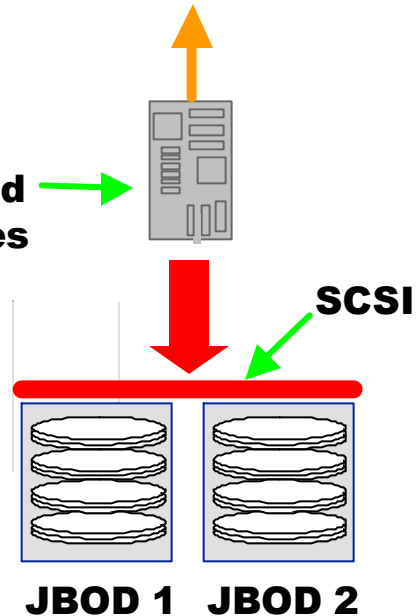
- ? Standard computing device
- ? Inexpensive
- ? Low Performance

# General Purpose Computer or Data Recorder?

**Sensors feed into a PC where it will be carried to the drive controller via the PCI bus**

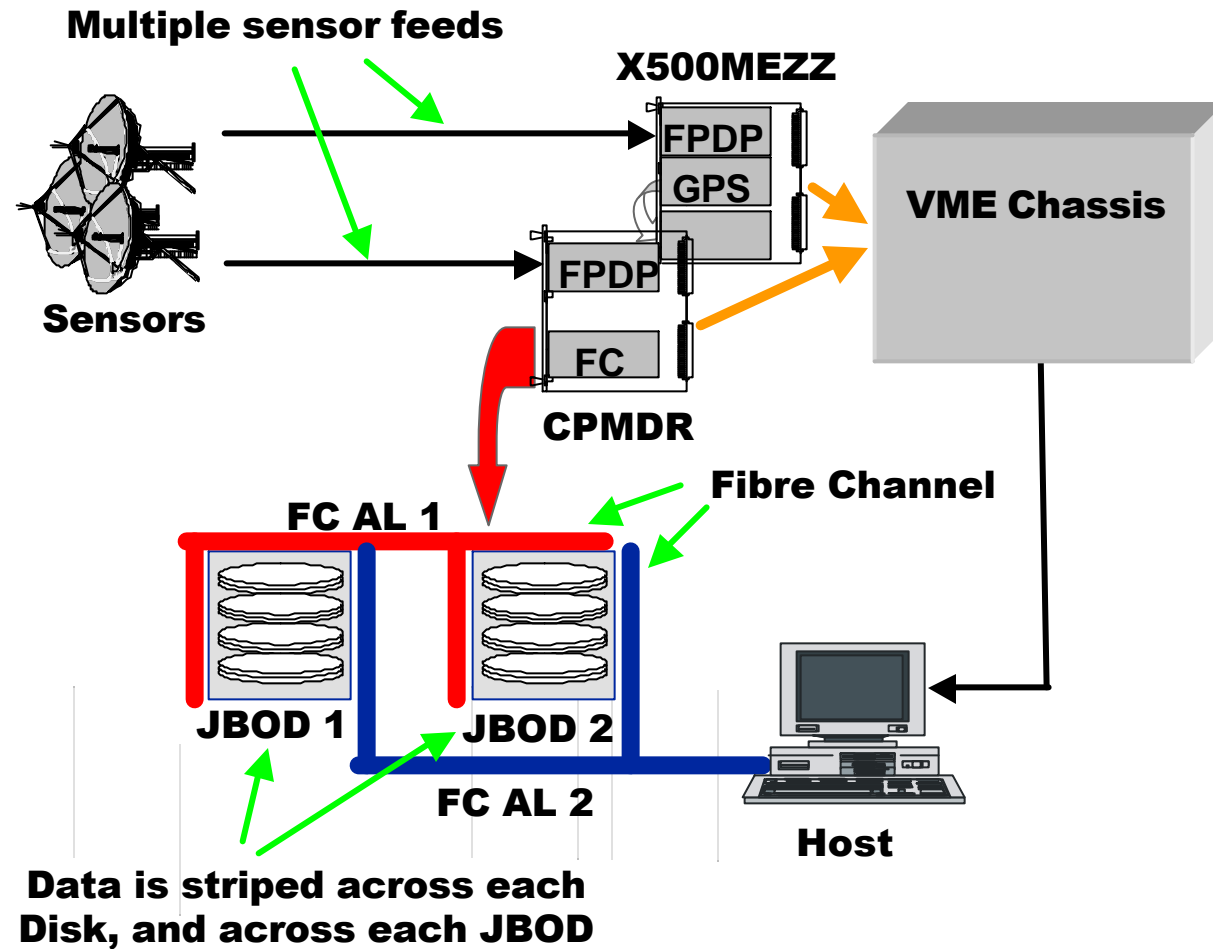


**Multiple sensors can be supported but the controller quickly becomes a bottleneck**



General Purpose Computers may provide bandwidths from 12MB/s to 50MB/s

# General Purpose Computer or Data Recorder?



Typically Data Recorders provide **SUSTAINED** bandwidths from 80MB/s to 360MB/s